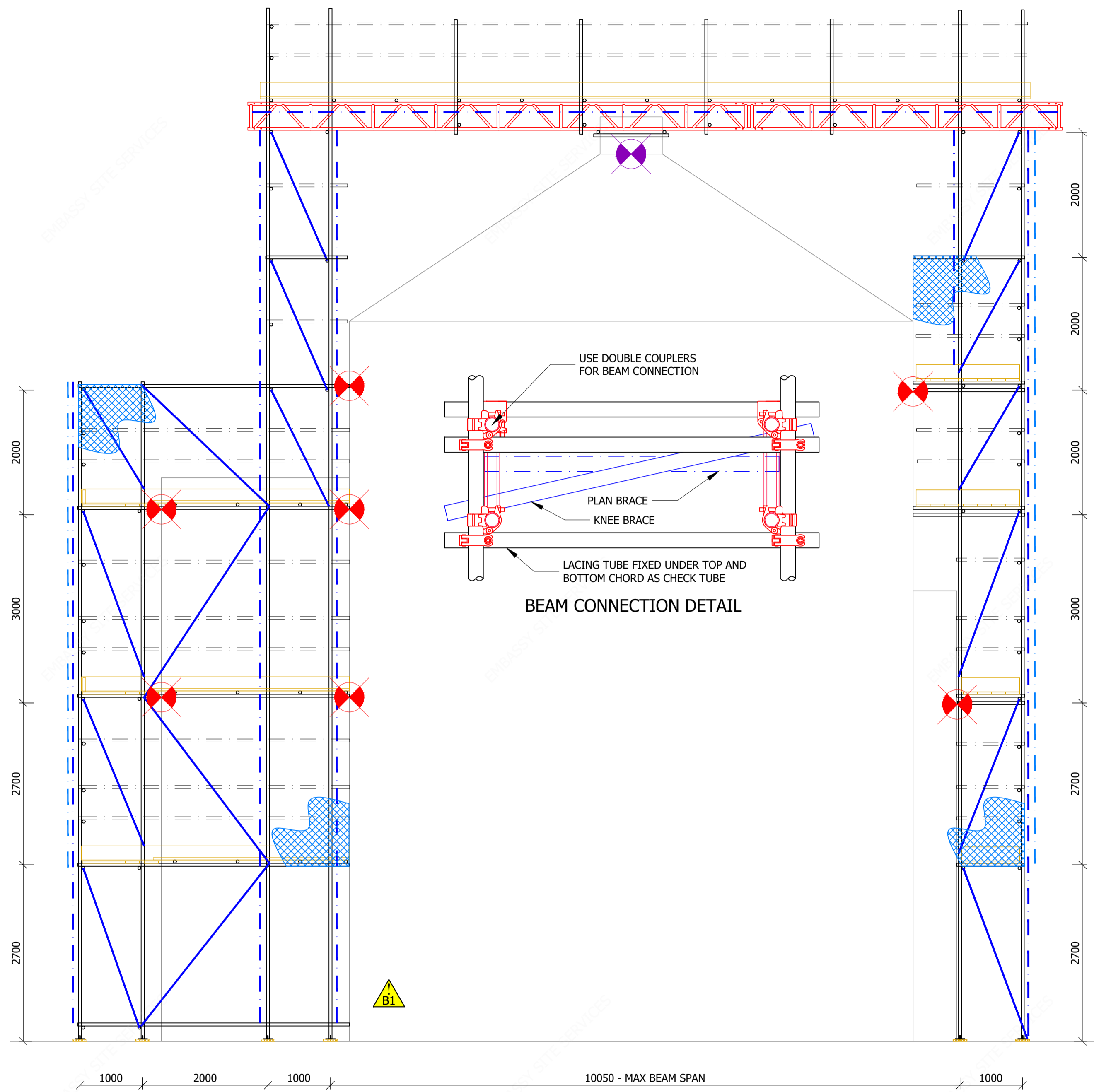
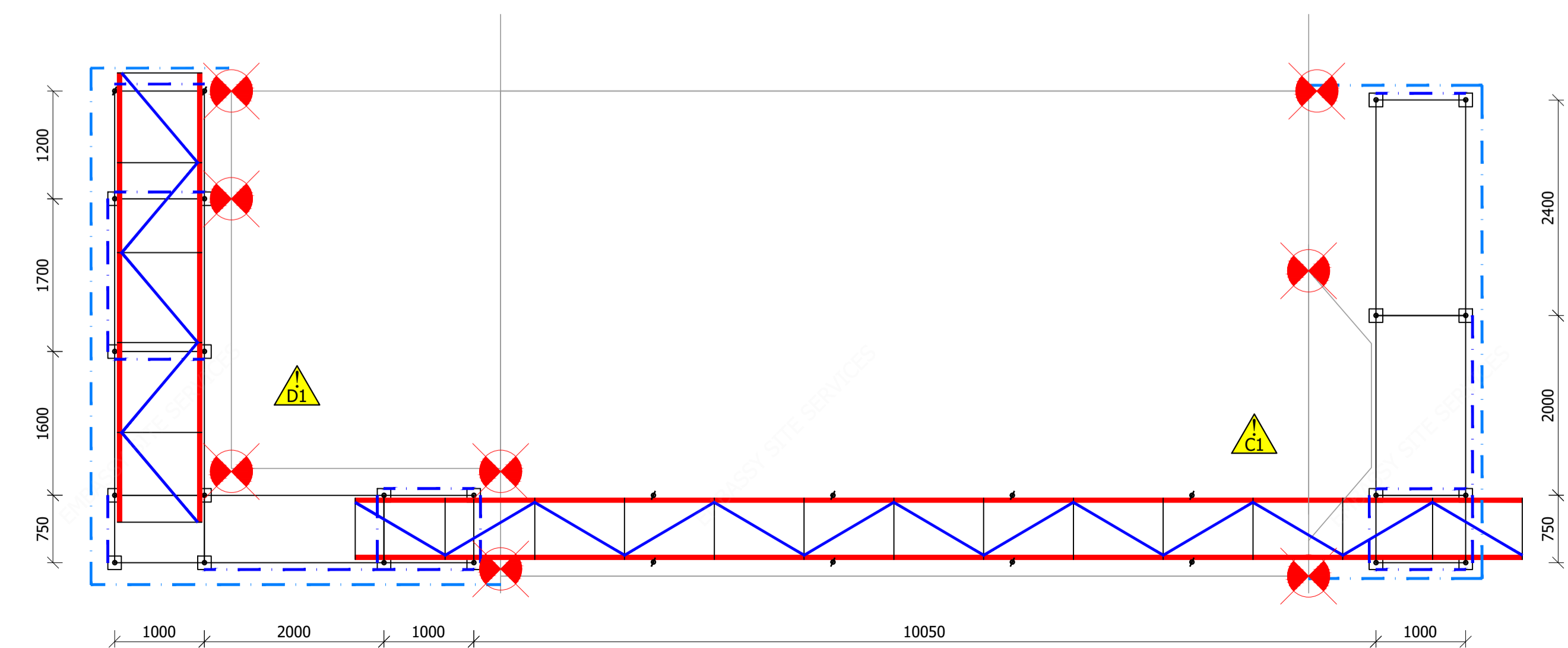


REDUCED LOADING ON LINK BRIDGE. 2 MEN PLUS TOOLS OF MAX 2.0kN AT ANY ONE TIME.

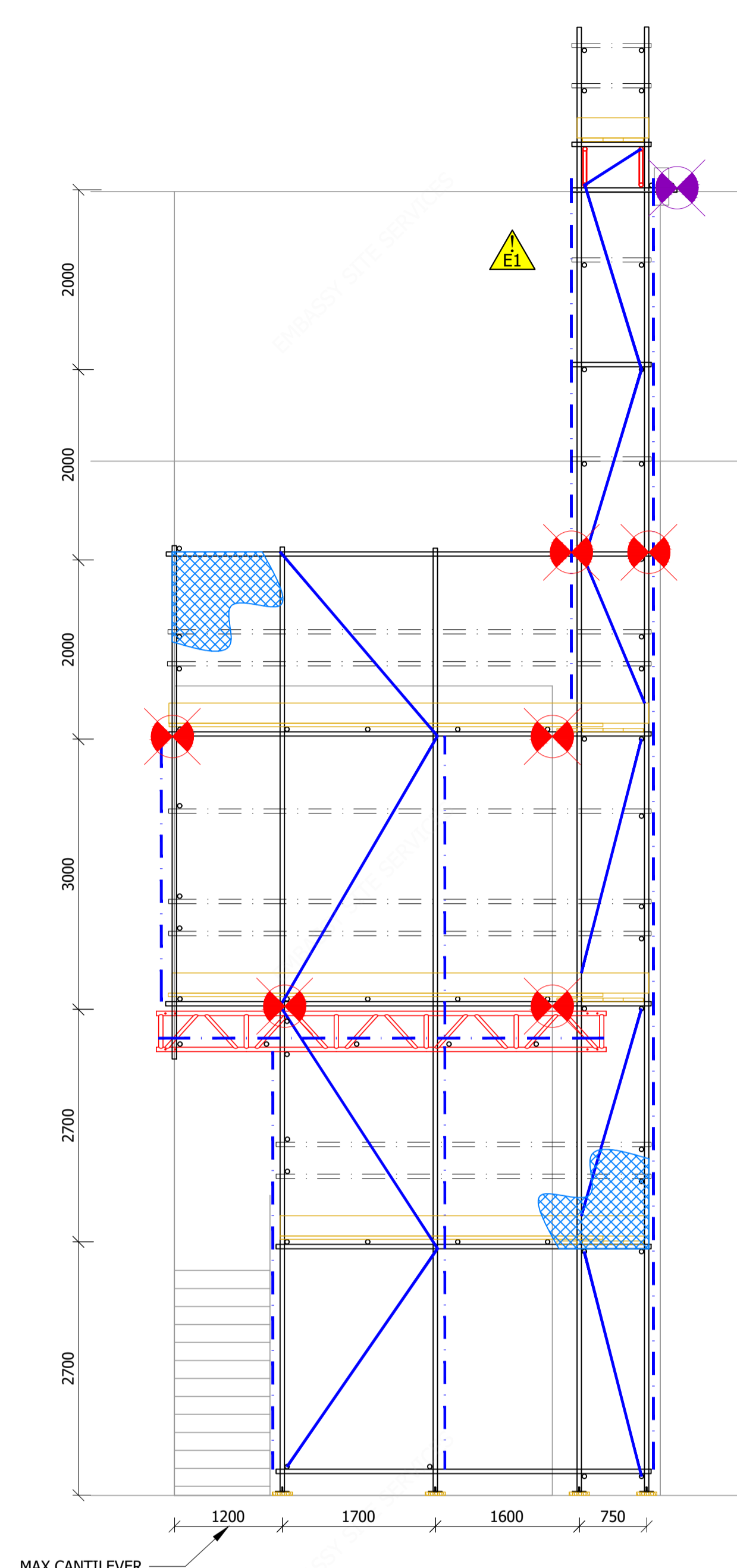


FRONT ELEVATION

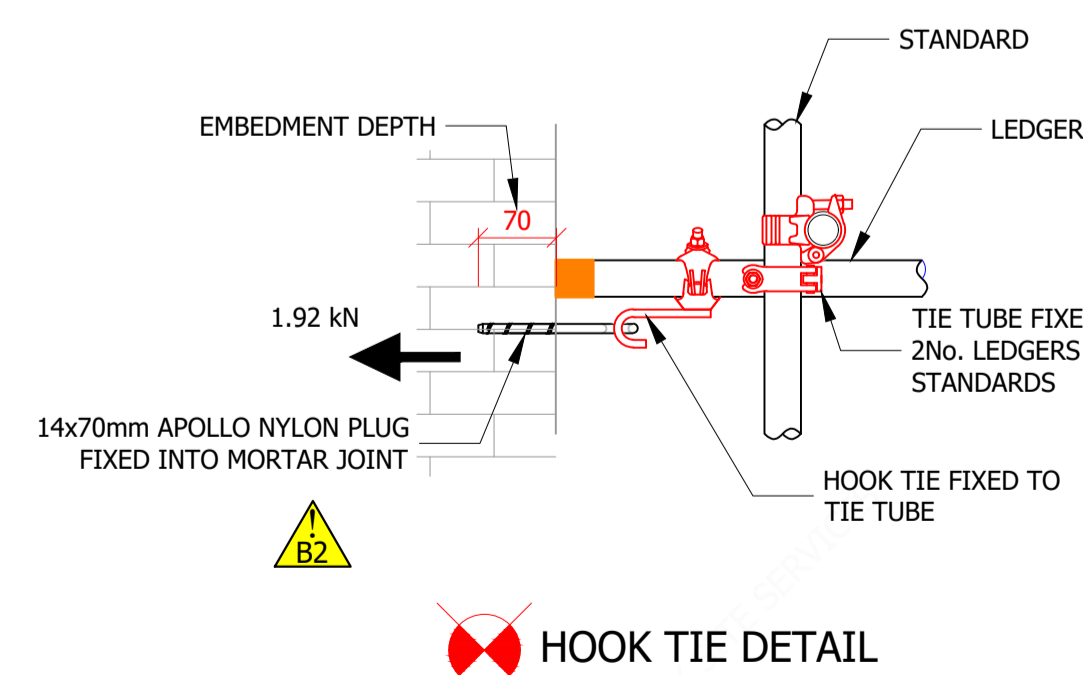


PLAN VIEW

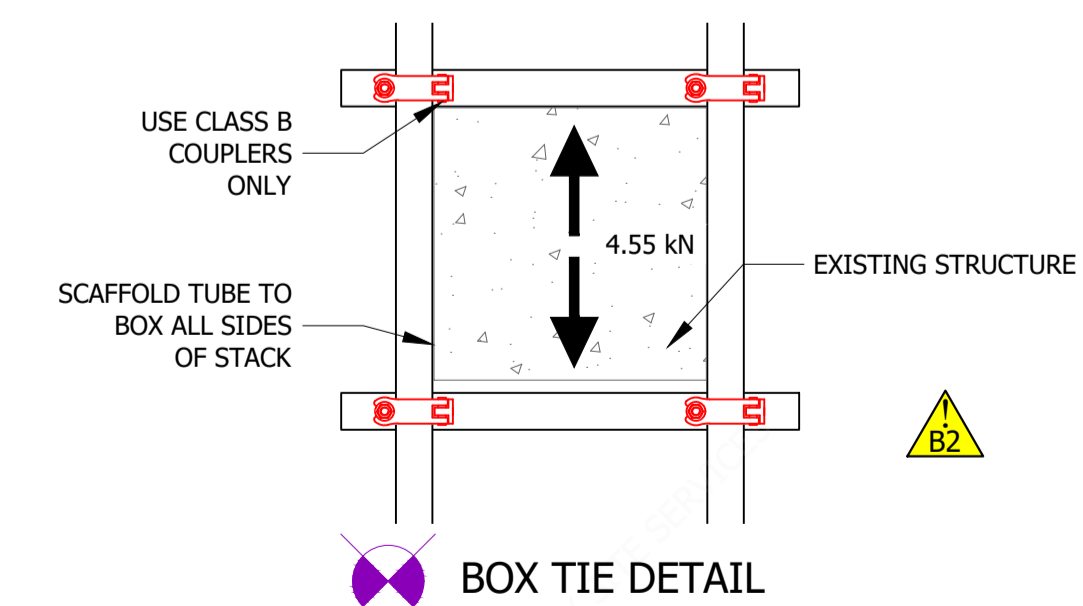
BOARDS AND BOARD BEARING TRANSOMS OMITTED FOR CLARITY



MAX CANTILEVER



HOOK TIE DETAIL



BOX TIE DETAIL

SCAFFOLD ERECTION NOTES

- STANDARDS**  
MAXIMUM LIFT HEIGHT 2000mm.
- TRANSOMS**  
TRANSOMS CENTRES OF 1000mm MUST NOT BE EXCEEDED WITH ADDITIONAL TRANSOMS AT BOARD JOINTS.  
MAXIMUM TRANSOM SPAN 1000mm.  
BOARDS SHORTER THAN 1200mm TO HAVE A MINIMUM OF 3 TRANSOM.
- STRUCTURAL TRANSOMS**  
STRUCTURAL TRANSOMS TO BE FIXED AS SHOWN USING LOAD BEARING COUPLERS.
- LEDGERS**  
MAXIMUM LEDGER SPAN 2100mm.
- PUNCHEONS**  
PUNCHEONS INDICATED THUS.  
FIX TO BOTH CHORDS OF BEAMS USING LOAD BEARING COUPLERS.
- CLASS 'B' COUPLERS**  
ONLY CLASS 'B' COUPLERS TO BE USED.
- BOARDS**  
USE 38mm SCAFFOLD BOARDS.  
SHORT BOARDS (LESS THAN 2400mm) TO BE FIXED DOWN USING BOARD CLAMPS.  
BOARD OVERHANG TO BE BETWEEN 50mm AND 150mm MAX.
- BRACING**  
BRACES FIXED TO BAYS INDICATED USING LOAD BEARING COUPLERS.
- FOOTINGS**  
CLIENT TO PREPARE SOUND AND LEVEL FOOTINGS. ALL STANDARDS ARE TO BE FOOTED ON M.S. BASE PLATES ON 225mm X 450mm X 38mm THICK TIMBER SOLE PADS.
- USE 450 ALLOY BEAMS**  
TOP CHORD RESTRAINT @ 1.0M C/C MAX.  
BOTTOM CHORD RESTRAINT @ 2.0M C/C MAX.  
LATERAL BRACING AT @ 2.0M C/C MAX.  
PLAN BRACE FULL LENGTH UNDER TOP CHORD.  
FIX ALL STANDARDS, DROP TUBES OR PUNCHEONS TO BOTH CHORDS USING LOAD BEARING COUPLERS.  
FIX SUPPLEMENTARY COUPLERS AS INDICATED.
- USE 450 ALLOY CANTILEVERED BEAMS**  
TOP CHORD RESTRAINT @ 1.0M C/C MAX.  
BOTTOM CHORD RESTRAINT @ 1.0M C/C MAX.  
LATERAL BRACING AT @ 2.0M C/C MAX.  
PLAN BRACE FULL LENGTH OVER BOTTOM CHORD.  
FIX ALL STANDARDS, DROP TUBES OR PUNCHEONS TO BOTH CHORDS USING LOAD BEARING COUPLERS.  
FIX SUPPLEMENTARY COUPLERS AS INDICATED.
- TIES**  
TIES TO BE FIXED IN POSITIONS INDICATED THUS. SEE TIE DETAIL FOR ARRANGEMENT / TYPE.
- DEBRIS NETTING**  
SECURE DEBRIS NETTING TO INSIDE OF THE EXTERNAL PERIMETER OF SCAFFOLD USING CABLE TIES.



THIS DRAWING IS CONFIDENTIAL AND IS THE EXCLUSIVE PROPERTY OF EMBASSY SITE SERVICES. NO UNAUTHORISED USE, COPY OR DISCLOSURE IS TO BE MADE AND IS TO BE RETURNED UPON REQUEST.  
ALL RIGHTS RESERVED BY EMBASSY SITE SERVICES ARE FOR CONSTRUCTION BY BIDDING. THE SCAFFOLD STRUCTURES THAT EMBASSY SITE SERVICES ARE COVERED BY PROFESSIONAL LIABILITY INSURANCE. EMBASSY WILL NOT ACCEPT RESPONSIBILITY FOR ANY LOSSES, DAMAGES OR INJURY ARISING FROM THE USE OF ANY DESIGN FOR CONSTRUCTION BY ANY PARTY OTHER THAN EMBASSY SITE SERVICES.  
ALL DIMENSIONS ARE AS STATED OR AS CALCULATED. WRITTEN DIMENSIONS SHALL TAKE PRECEDENCE OVER SCALED DIMENSIONS. DIMENSIONS IN MM UNLESS STATED OTHERWISE (USG).  
CONSTRUCTION IN ACCORDANCE WITH BS EN 12811-1 AND MANUFACTURERS GUIDELINES.  
ALL TUBES TO BE STEEL IN ACCORDANCE WITH BS EN 20, UNLESS NOTED OTHERWISE. (UNO). ALL COUPLERS TO COMPLY WITH BS EN 20. ALL BOARDS TO COMPLY WITH BS EN 12811-1 UNLESS NOTED OTHERWISE. (UNO). SCAFFOLD ERECTION AND DEMANTING TO COMPLY WITH THE CURRENT REVISION OF SS 4.  
CON 2015 - THE CONSTRUCTION DESIGN AND MANAGEMENT REGULATIONS 2015  
IN ORDER TO ELIMINATE, REDUCE AND CONTROL RISK, SAFETY, HEALTH AND THE DESIGN RISK ASSESSMENT HAVE BEEN CONSIDERED IN THE PREPARATION, PRODUCTION OF THIS DESIGN THROUGH CO-OPERATION AND CO-ORDINATION WITH OTHERS.  
SOME RESIDUAL HAZARDS / RISKS MAY REMAIN THESE ARE IDENTIFIED WITH A HAZARD SYMBOL AND REFERENCE. EMBASSY OPERATOR MANAGERS AND / OR THE CLIENTS SHOULD ASSESS AND MANAGE THESE RESIDUAL HAZARDS / RISKS. (IF APPLICABLE REFER TO THE DESIGN RISK ASSESSMENT).

**MAXIMUM ALLOWABLE LIVE LOADS**  
1.50kN/m<sup>2</sup> ON 1 No. WORKING PLATFORM (S)  
0.75kN/m<sup>2</sup> ON 1 No. ADDITIONAL PLATFORM (S)  
0.75kN/m<sup>2</sup> ON 1 No. INSIDE BOARD (S)

**ENVIRONMENTAL LOADS**  
0.28kN/m<sup>2</sup> PEAK WIND VELOCITY PRESSURE  
JULY PERIOD OF ERECTION  
8 WEEKS MAXIMUM DURATION OF SCAFFOLD

**INTERFACE LOADS**  
TBC MAXIMUM VERTICAL POINT LOAD  
TBC CALCULATED HORIZONTAL TIE LOAD

**TIE LOAD TESTING**  
0.00 kN PROOF TEST (F.O.S. 1.25 : 1)  
PROOF TEST 3 No. OR 5% OF TIES (WHICHEVER IS GREATER)

0.00 kN PRELIMINARY TEST LOAD (F.O.S. 2 : 1)  
5 No. ANCHORS IN ALTERNATIVE LOCATION - NOT TO BE USED.

**ASSOCIATED DOCUMENTATION**  
15127-ESS-0048-CAL CALCULATION  
15127-ESS-0048-DRA DESIGNERS RISK ASSESSMENT

**RESIDUAL RISKS**

THE FOLLOWING RESIDUAL RISKS HAVE BEEN IDENTIFIED IN THE DESIGN PROCESS AND ARE HIGHLIGHTED ON THIS DRAWING USING THE FOLLOWING SYMBOLS

- DESIGNED USE OF SCAFFOLD
- IMPOSED LOADS TO GROUND
- IMPOSED LOADS TO EXISTING STRUCTURE
- POSITION OF SCAFFOLD
- UNAUTHORISED ADAPTION OF SCAFFOLD
- WORKING AT HEIGHT

FOR FURTHER INFORMATION PLEASE REFER DESIGNERS RISK ASSESSMENT DOCUMENT: 15127-ESS-0048-DRA

DRAWING STATUS  
● PRELIMINARY ISSUE  
○  
○

REV	DESCRIPTION	BY	DATE
P01	ISSUED FOR INTERNAL SIGN OFF	MW	10.17.23

CLIENT  
WATES

TITLE  
ACCESS SCAFFOLD WITH UP AND OVER

SITE  
52 HANLEY ROAD

SCALE  
1:50 @ A1

DRAWN BY  
M.WARD

10.07.23

PRELIMINARY APPROVAL BY  
L.MULLANE

10.07.23

CHECKED BY  
00.00.00

CONTRACT DIVISION DESIGN REF DOCUMENT SHEET STATUS  
15157- ESS - 0048 - DRG - 01 - P rev 01